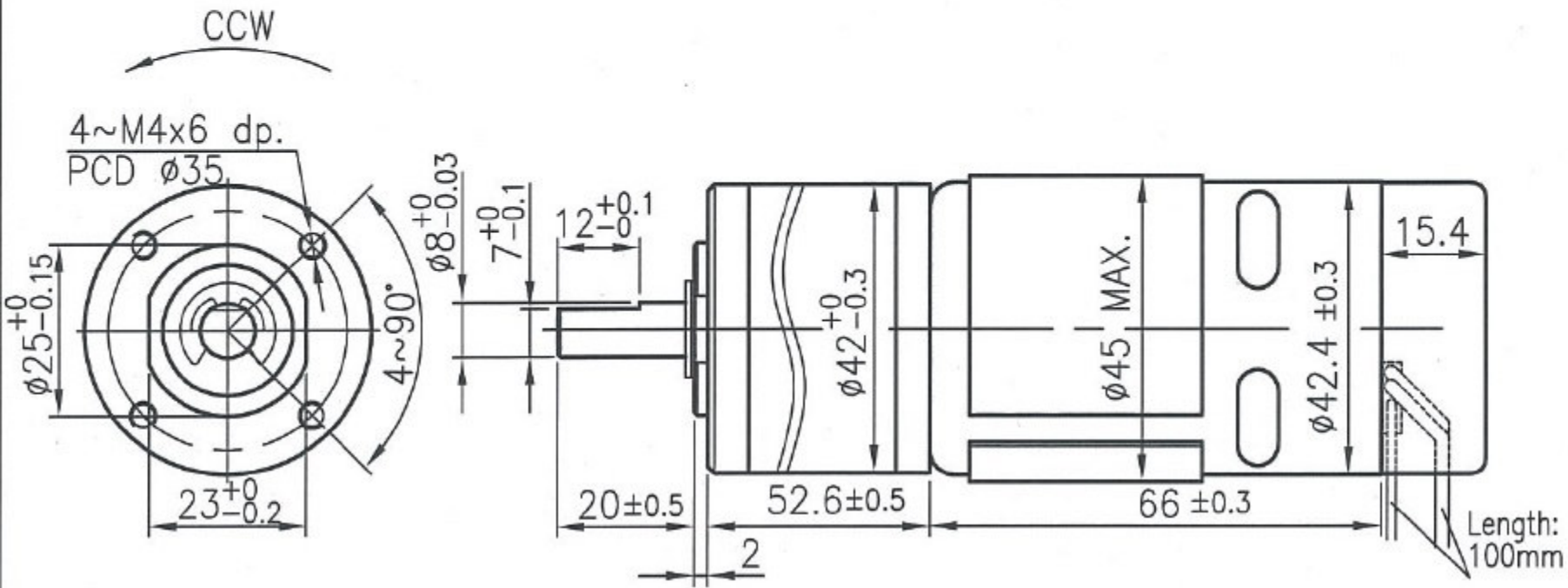


6543
 JST PHR-4
 P=2.0-4P
 UL1007 AWG26

Molex 09-50-3021
 P=3.96-2P
 UL1007 AWG18

Two Channel Encoder
 Connections :
 1. Black : -MOTOR
 2. Red : +MOTOR
 3. Brown : HALL SENSOR Vcc
 4. Green : HALL SENSOR GND
 5. Blue : HALL SENSOR A Vout
 6. Purple : HALL SENSOR B Vout



REDUCTION RATIO: 1/212.33
 OUTPUT SHAFT: STEEL
 MOTOR SPECIFICATION: 24V 7000RPM
 ENCODER TWO CHANNEL 10POLES + CAP